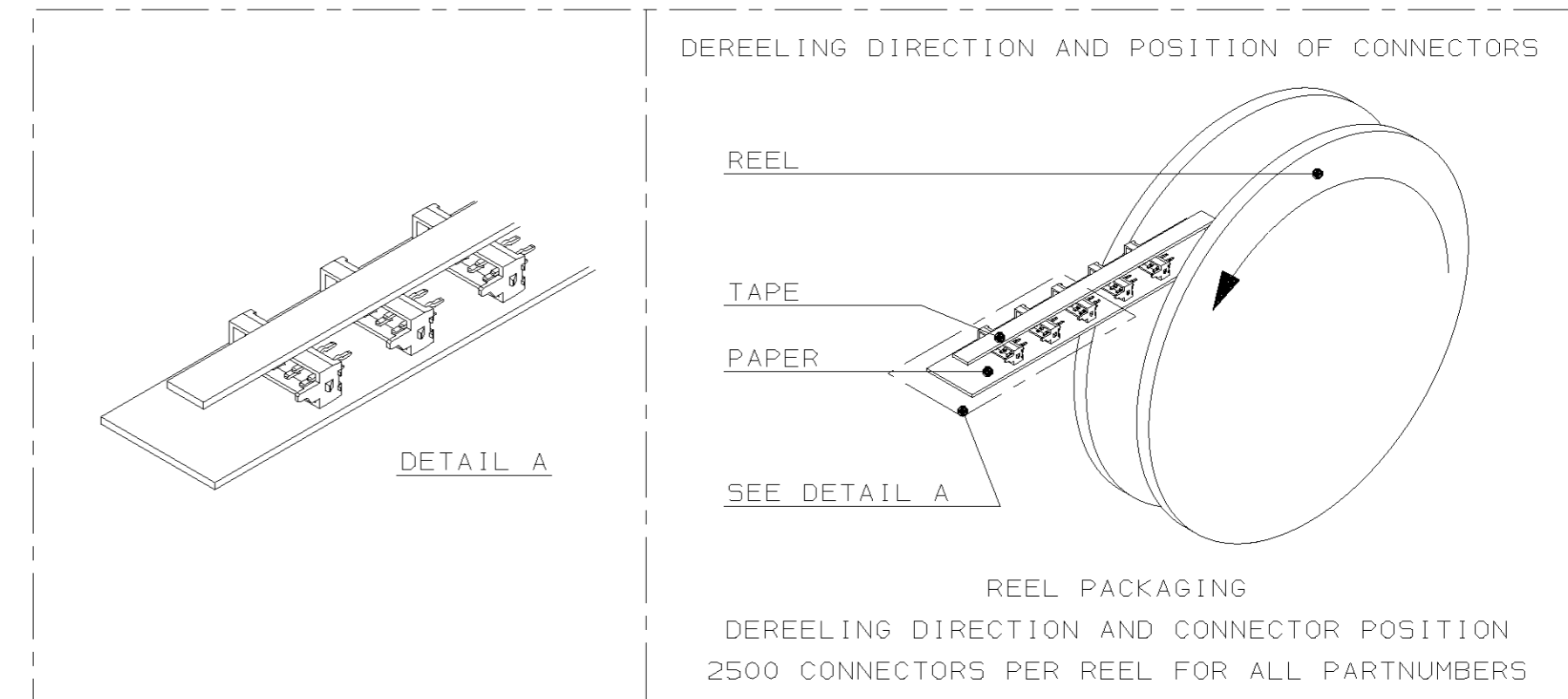
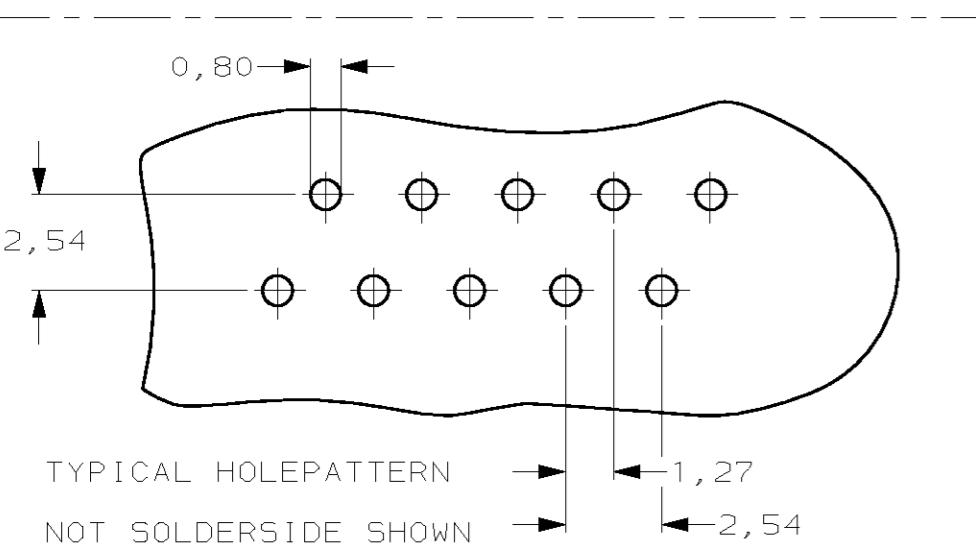
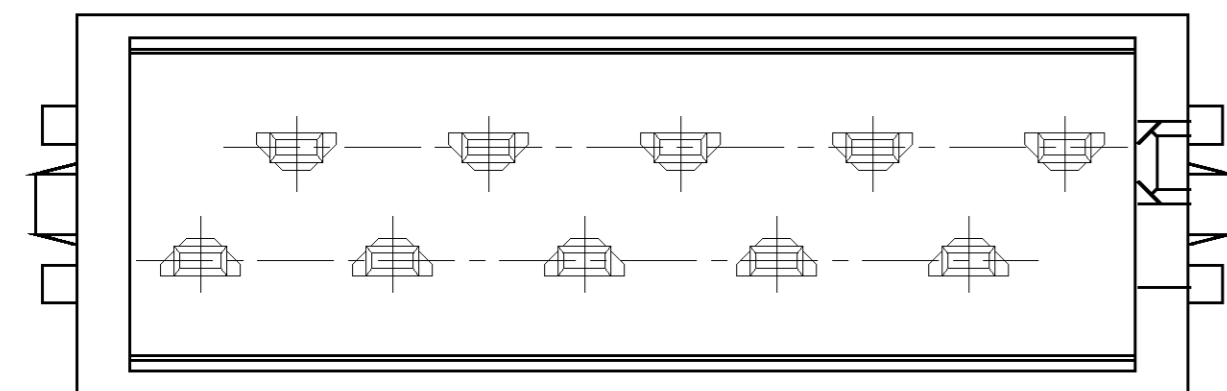
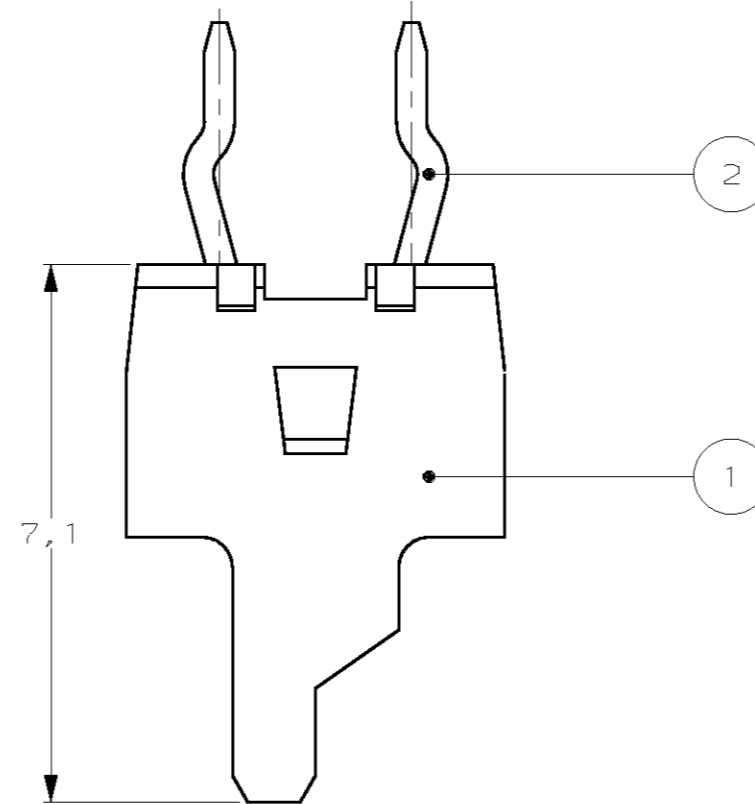
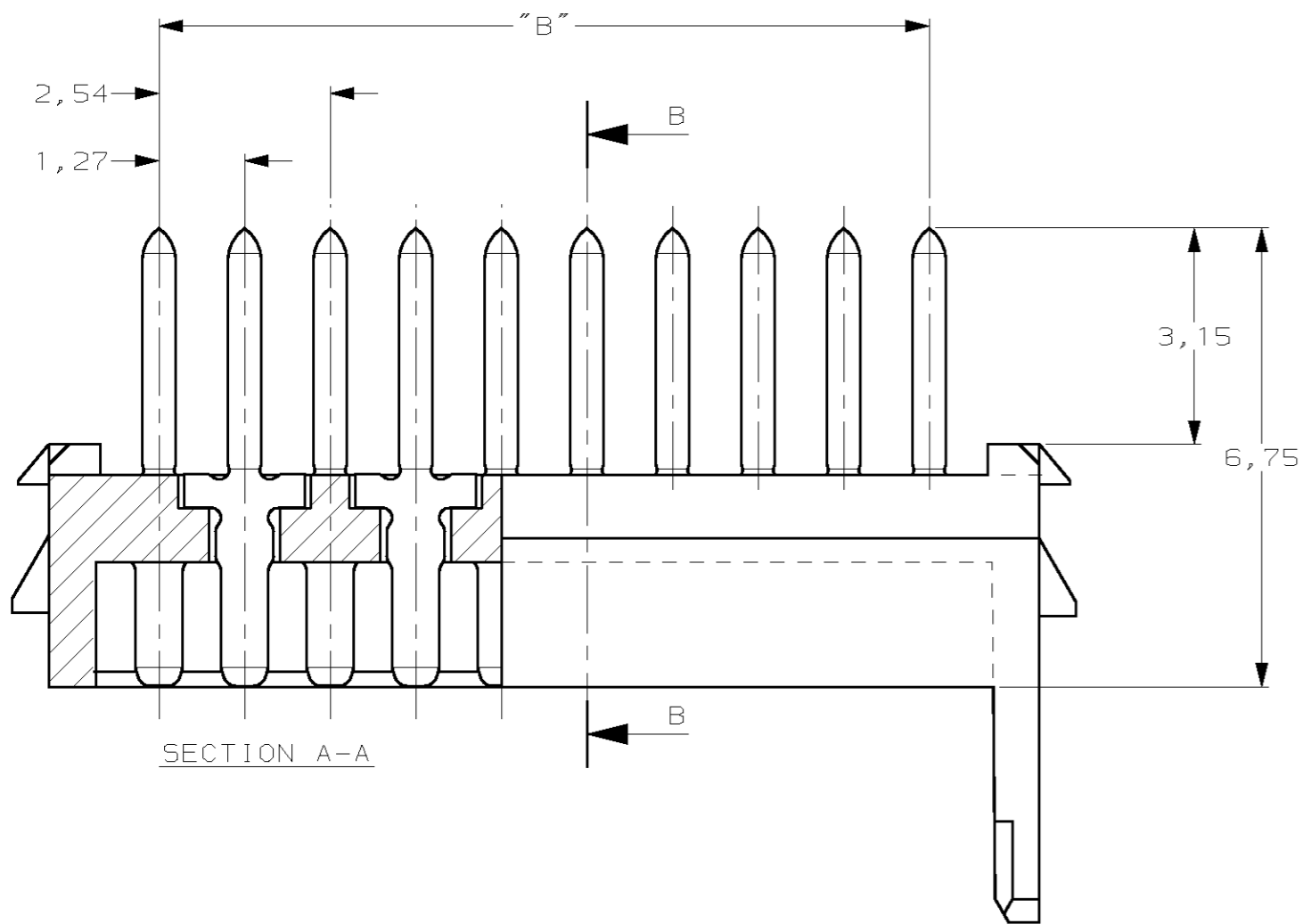
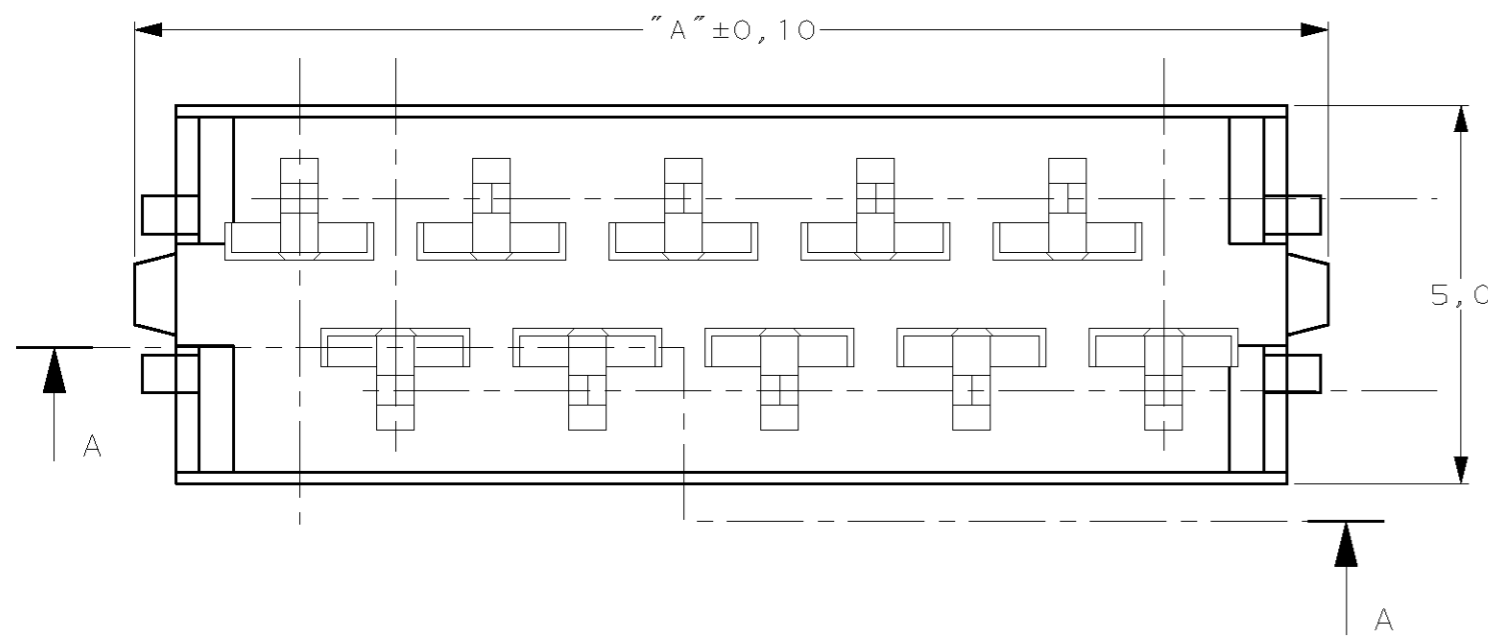


DO NOT SCALE
DIMENSIONS IN mm

METRIC

THIRD ANGLE
PROJECTION

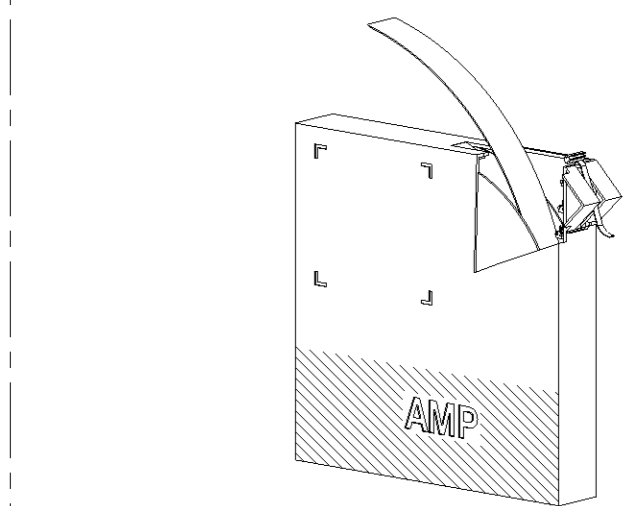


DEREELING DIRECTION AND POSITION OF CONNECTORS


REEL
TAPE
PAPER
SEE DETAIL A

REEL PACKAGING
DEREELING DIRECTION AND CONNECTOR POSITION
2500 CONNECTORS PER REEL FOR ALL PARTNUMBERS

NOTE:
1. PRODUCT SPECIFICATION: 108-19052



BOX PACKAGING
250 PARTNUMBERS PER BOX
FOR ALL PARTNUMBERS

FINISH	MATERIAL	DESCRIPTION	ITEM
TIN OVER NICKEL PLATING.	PHOSPHORBRONZE	MALE CONTACT	2
	GLASS FILLED POLYESTER (RED)	HOUSING	1
CUSTOMER DRAWING FOR REFERENCE ONLY WILL NOT BE UPDATED			
<small>© COPYRIGHT 19- BY AMP-HOLLAND B.V. ALL INTERNATIONAL RIGHTS RESERVED. AMP PRODUCTS MAY BE COVERED BY U.S. AND FOREIGN AND/OR PATENTS PENDING. THIS DRAWING IS UNPUBLISHED RELEASED FOR PUBLICATION</small>			
M	EH10-0382-04	JvdH EL 12 NOV 04	 AMP-HOLLAND B.V. 's-Hertogenbosch, The Netherlands.
L	EH01-0232-04	JvdH EL 16 FEB 04	
K	H-9745	JVD - 15 APR 92	
LTR.	REVISION RECORD	DR. CHK. DATE	NAME Micro-MaTch MALE-ON-BOARD LONG POST, POLARIZED
DR.: J. VAN DREUMEL	CHK.: H. KOKKEN	APP.: -	DWG. No. 215464
DATE: 15-04-92	DATE: -	DATE: -	REV. LTR. M SHEET 1 OF 1